



Intelligent Hydraulic Servo Drive Pack YSD1/YSD2/YSD3

Notice of Model Change

The model change of the Power Package will be carried out due to the discontinuation of the servo motors and servo packs by the supplier.

■ Major Changes

- (1) Complete change of mounted servo motors and servo packs
- (2) Change of encoder cable type
- (3) Unified shaft end dimensions for servo motors [YSD1 Only]

■ Model Number

- (1) For YSD1 models with servo motors (YSD1-*-09/13), YSD2 and YSD3, there is no change between the old and new models except for the design number. For the YSD1 model without servo motor, the output symbols of the SERVOPACK are integrated.
- (2) The encoder cable type will be changed from E8 to E9.

Name	Current Model Numbers	New Model Numbers
YSD1 mounted servo motors	YSD1-*-09*-*-**-20 YSD1-*-13*-*-**-20	YSD1-*-09*-*-**-30 YSD1-*-13*-*-**-30
YSD1 Without servo motor	YSD1-*-N1*-*-**-20 YSD1-*-N2*-*-**-20	YSD1-*-N*-*-**-30
YSD2	YSD2-*-*-*-**-30	YSD2-*-*-*-**-40
YSD3	YSD3-*-*-*-**-30	YSD3-*-*-*-**-40
Encoder Cable	YSDC-E8-*-*-*-10	YSDC-E9-*-*-*-10

■ Interchangeability

Component	Characteristics	Mounting dimensions	Dimension Comparison Details
Pump	Yes	Yes	—
Servo Motor	No	No	See No. 2
Servo Pack	No	YSD1/YSD2: Yes YSD3: No	See No. 3
Encoder Cable	No	Yes	—
Regenerative Resistor Unit	No	Yes	—

- (1) As for servo motor, servo pack and Regenerative Resistor, there is no interchangeability between current and new models, so these parts of current design have to exchange as a set.
- (2) Although the mounting dimensions of the YSD1/YSD2 servo packs are compatible, the external dimensions are different with the new design. For details, please refer to the dimension comparison table in No. 3.
- (3) In YSD1, servo motors are not compatible with couplings because the shaft ends of old and new servo motors are different. Changing motors from the old design requires replacement of the set including couplings.
- (4) Some setting parameters will be changed. Please contact us for details.

Product News

■ Specifications・Characteristics

Specifications and Characteristics of the H Servo Drive Pack main unit remain unchanged from the previous design. (Servo motor specifications are subject to slight modifications.) Servo Pack, Regenerative Resistor Unit and Encoder Cable will be changed as follows.

(1) Servo Pack

Servo Pack Type	Current Mass (kg)	New Mass (kg)
For YSD1- *-09	1.5	1.6
For YSD1- *-13	2.4	2.1
For YSD2- *-24	2.8	2.8(Same)
For YSD2- *-29/44	4.6	4.4
For YSD3- *-55/75	10.2	9.0

(2) Regenerative Resistor Unit

Current Design			New Design		
YASKAWA Electric Model	Resistance value・Power	Mass	YASKAWA Electric Model	Resistance value・Power	Mass
JUSP-RA04A-E	6.25Ω, 880W	4.2 kg	JUSP-RA29-E	5Ω, 880W	4.0 kg

(3) Encoder Cable

Model Number	Current Connector		New Connector	
	Encoder Side	Motor Side	Encoder side	Motor Side
YSD1- *-09 * * YSD1- *-13 * *	CM10-R10P-D [DDK Ltd.]	CE05-2A18-10PD-D [DDK Ltd.]	CMV1-R10P [DDK Ltd.]	JL10-2E18-10PE [Japan Aviation Electronics Industry, Ltd.]
YSD2- *-24 * * YSD2- *-29 * * YSD2- *-44 * *		CE05-2A22-10PD-D [DDK Ltd.]		JL10-2E22-22PCE [Japan Aviation Electronics Industry, Ltd.]
YSD3- *-55 * * YSD3- *-75 * *		CE05-2A32-17PD-D [DDK Ltd.]		JL10-2E32-17PCE-B [Japan Aviation Electronics Industry, Ltd.]

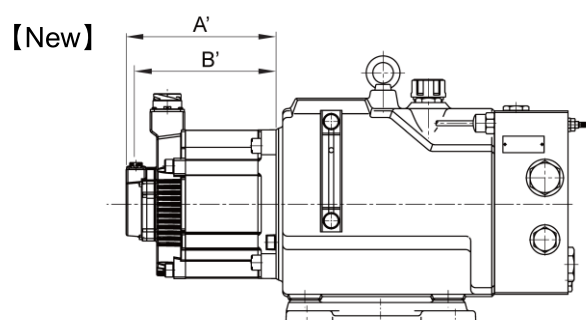
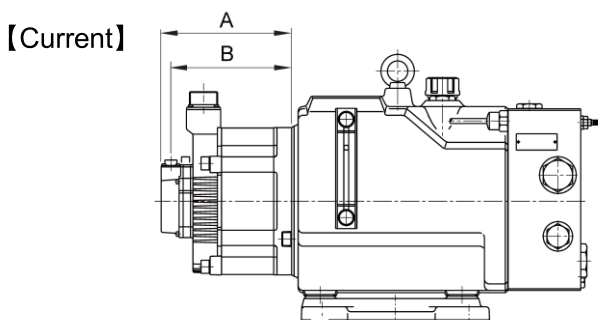
★Only the model has been changed. (No change in specifications)

■ Comparison of new and old external shape and dimensions

The following external shape and dimensions have been changed. (Dimensions are unchanged except for the following.)

(1) Pump / Motor

Model Numbers	Current		New	
	A	B	A'	B'
YSD1- *-09 * *	137	125	135	123
YSD1- *-13 * *	153	141	151	139
YSD2- *-24 * *	160	148	158	146
YSD2- *-29 * *	160	148	158	146
YSD2- *-44 * *	184	172	182	170
YSD3- *-55 * *	221	209	219	207
YSD3- *-75 * *	267	255	265	253



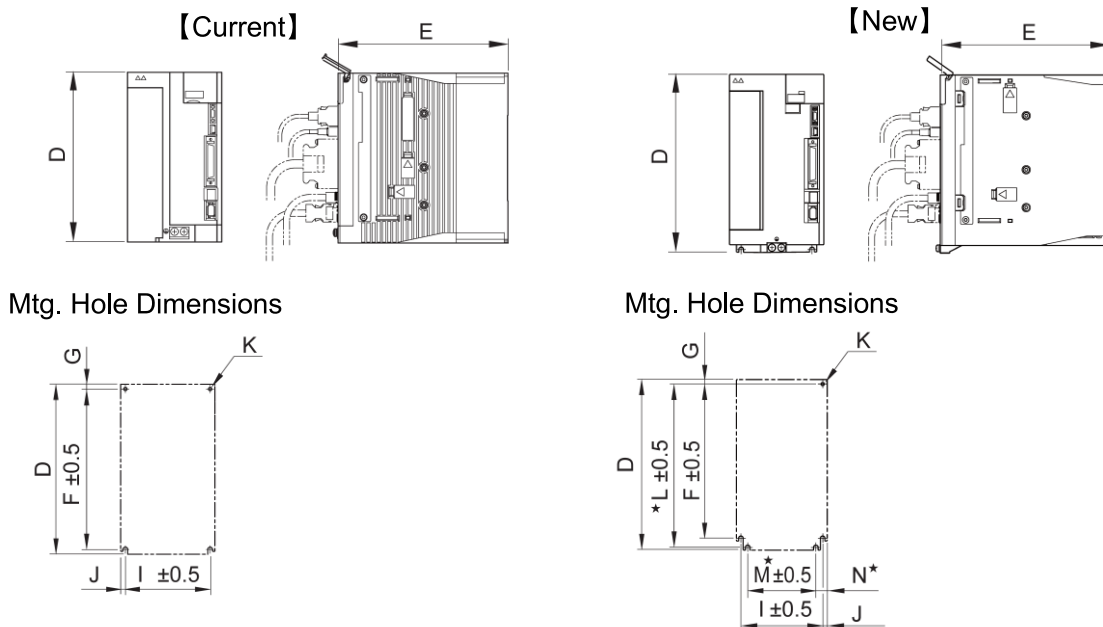
Product News

(2) Servo Pack

current and new	Type	D	E	F	G	I	J
Current	For YSD1- *-09	160	180(Same)	150(Same)	5(Same)	58(Same)	6(Same)
New		168					
Current	For YSD1- *-13	160	180(Same)	150(Same)	5(Same)	80(Same)	5(Same)
New		168					
Current	For YSD2- *-24	180	180(Same)	170(Same)	5(Same)	90(Same)	5(Same)
New		188					
Current	For YSD2- *-29/44	250	210(Same)	238.5(Same)	6(Same)	100(Same)	5(Same)
New		258					
Current	For YSD3- *-55/75	350	210(Same)	335	7.5	120	25
New		315		302.5	6	142	14

current and new	Type	K	L*	M*	N*
Current	For YSD1- *-09	3-M4 Screw (Same)	—	—	—
New			160	—	—
Current	For YSD1- *-13	4-M4 Screw	—	—	—
New			3-M4 Screw	160	—
Current	For YSD2- *-24	4-M4 Screw	—	—	—
New			3-M4 Screw	180	75
Current	For YSD2- *-29/44	4-M5 Screw (Same)	—	—	—
New			250	84	13
Current	For YSD3- *-55/75	4-M6 Screw (Same)	—	—	—
New			—	—	—

★YSD1 and YSD2 have new mounting dimensions added to the conventional mounting dimensions.



■Details

For detailed specifications and external dimensions of the new design, please refer to the following URL

YSD1:[YSD1- *- * * *- * *- * *-30.pdf](#)

YSD2:[YSD2- *- * * *- * *- * *- * *-40.pdf](#)

YSD3:[YSD3- *- * * *- * *- * *- * *-40.pdf](#)

■Timing of Release

Upon depletion of current stock