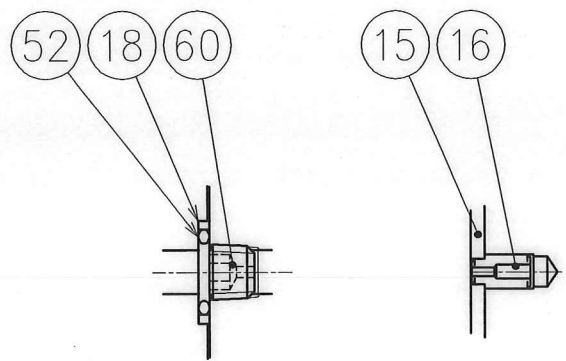
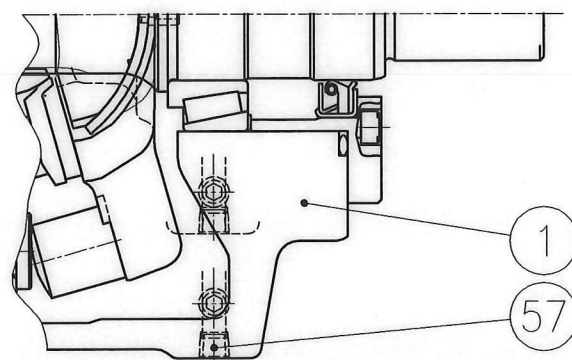


△ A3HG37- *R14* - *D



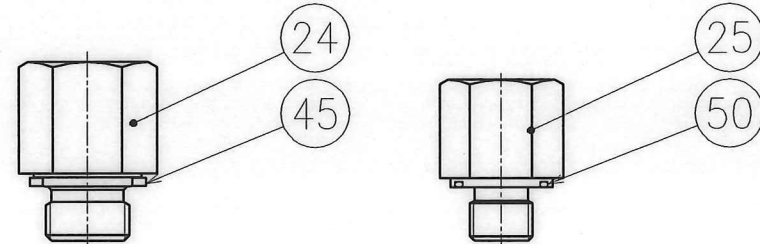
X-X断面詳細

A部詳細



△ A3HG37- *R14* - *C

付属品



DRポート用

△ Lポート用

10 D

# SYM REVISIONS DATE SIGN	DATE	2014-3-11	DRAWN	m.g	YUKEN KOGYO CO., LTD.	
	APPROVED	T.Y	CHECKED	矢島		
	FILE NO.	2281Q	三角法 THIRD ANGLE PROJECTION		NAME	A3HG37形可変ピストンポンプ ロードセンシング制御形
			FILE NO.	2281Q	DWG NO.	PA321925-0-1 △(1/3)

表 2

モデル番号	★A ((1)ハウジング)	★B ((2) 中間ボデー)	★C ((3) シャフト)	★D ((4) シールリテーナ)	★E ((2) シールカバー)	★F ((24) アダプタ)	★H ((25) アダプタ)	★J ((45) ポケットシール)			
A3HG37-★R14K-E1D	2281-PK112574-9	2281-PK112576-4	2281-PK212641-5	2281-PK314622-2	2285-PK314616-4	—	—	—			
A3HG37-★R14SP-E1D			2281-PK212643-1								
A3HG37-★R14K-U1D	2281-PK112575-6	2281-PK112577-2	2281-PK212642-3	2281-PK314623-0	1314M-PK312738-8	900-PK413381-5	900-PK413384-9	TK280550-5			
A3HG37-★R14SP-U1D			2281-PK212643-1					(KP-C-04 (FKM))			
A3HG37-★R14K-U2D			Z800-2271-PK112494-0					2281-PK212642-3	—	900-PK413383-1	—
A3HG37-★R14SP-U2D								2281-PK212643-1	—	900-PK413383-1	—
A3HG37-★R14K-J1D								2281-PK212642-3	900-PK413382-3	900-PK413385-6	TK280550-5
A3HG37-★R14SP-J1D								2281-PK212643-1	900-PK413382-3	900-PK413385-6	(KP-C-04 (FKM))
A3HG37-★R14K-E1C	2281-PK112612-7	2281-PK112576-4	2281-PK212667-0	2281-PK314662-8	2285-PK314616-4	—	—	—			
A3HG37-★R14SP-E1C			2281-PK212669-6								
A3HG37-★R14K-U1C	2281-PK112613-5	2281-PK112577-2	2281-PK212668-8	2281-PK314663-6	1314M-PK312738-8	900-PK413381-5	900-PK413384-9	TK280550-5			
A3HG37-★R14SP-U1C			2281-PK212669-6					(KP-C-04 (FKM))			
A3HG37-★R14K-U2C			Z800-2271-PK112494-0					2281-PK212668-8	—	900-PK413383-1	—
A3HG37-★R14SP-U2C								2281-PK212669-6	—	900-PK413383-1	—
A3HG37-★R14K-J1C								2281-PK212668-8	900-PK413382-3	900-PK413385-6	TK280550-5
A3HG37-★R14SP-J1C								2281-PK212669-6	900-PK413382-3	900-PK413385-6	(KP-C-04 (FKM))

モデル番号	★K ((60) Oリング)	★L	★M	★N ((65) キー)	
A3HG37-★R14K-E1D	—	7	4	KY-C-10x8x40	
A3HG37-★R14SP-E1D				—	
A3HG37-★R14K-U1D				—	
A3HG37-★R14SP-U1D				SO-FB-P16 (OR FKM-90 P16-N)	KY-E-5/16x40
A3HG37-★R14K-U2D					KY-E-5/16x40
A3HG37-★R14SP-U2D					KY-E-5/16x40
A3HG37-★R14K-J1D	KY-E-5/16x40				
A3HG37-★R14SP-J1D	—	11	—	KY-C-8x7x36	
A3HG37-★R14K-E1C	SO-FB-P16 (OR FKM-90 P16-N)			KY-E-1/4x32	
A3HG37-★R14K-U1C				KY-E-1/4x32	
A3HG37-★R14SP-U1C				KY-E-1/4x32	
A3HG37-★R14K-U2C				KY-E-1/4x32	
A3HG37-★R14SP-U2C				KY-E-1/4x32	
A3HG37-★R14K-J1C		KY-E-1/4x32			
A3HG37-★R14SP-J1C	—	—	—	—	

表 3

モデル番号	★A	★B	★C ((69) 取付ブラケット)
A3HG37-LR14*-E1D	4	4	2282-PK212685-2
A3HG37-LR14*-U1D			—
A3HG37-LR14*-U2D			2272-PK212318-0
A3HG37-LR14*-J1D			—
A3HG37-LR14*-E1C	2	2	2282-PK212686-0
A3HG37-LR14*-U1C			—
A3HG37-LR14*-U2C			2282-PK212687-8
A3HG37-LR14*-J1C			—

SYM REVISIONS DATE SIGN	DATE	DRAWN	YUKEN KOGYO CO., LTD.	
	APPROVED	CHECKED		MODEL NO. A3HG37-★R14*-**-10
	三角法 THIRD ANGLE PROJECTION			NAME A3HG37形可変ピストンポンプ ロードセンシング制御形
	FILE NO. 2281Q	DWG NO. PA321925-0-0		(3/3)