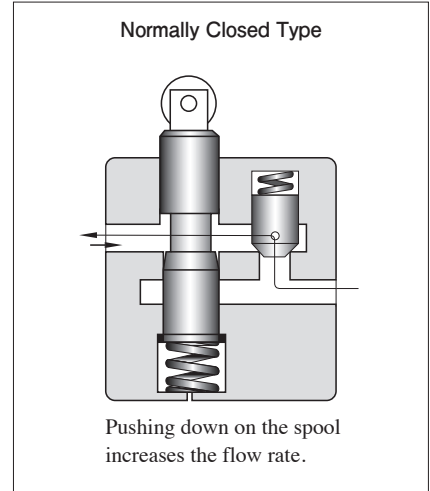
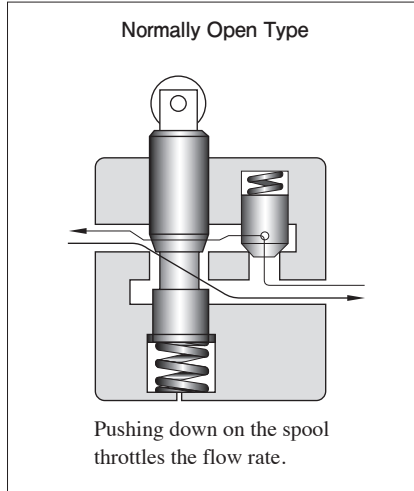


Deceleration Valves / Deceleration and Check Valves

Cam operation easily increases or decreases the flow rate and opens or closes the valve's internal passageway. This valve is used when you want the actuator to perform acceleration/deceleration and stop necessary for machine tool table feed, etc. The check valve allows free flow in the opposite direction of the controlled flow regardless of the cam position.



Specifications

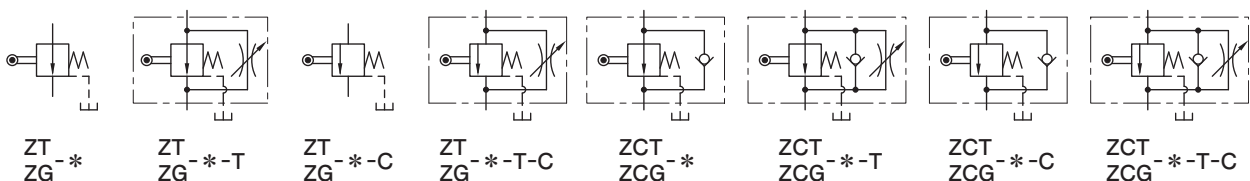
Model Numbers		Max. Flow L/min	Max. Operating Pressure MPa	Mass kg	
Threaded Connection	Sub-Plate Mounting			Z * T	Z * G
Z * T-03-**-22	Z * G-03-**-22	30	21	4.3	4.3
Z * T-06-**-22	Z * G-06-**-22	80		8.7	8.7
Z * T-10-**-22	Z * G-10-**-22	200		17	17

Model Number Designation

ZC	T	-03	-T	-C	-22	
Series Number	Type of Mounting	Valve Size	With Adjustable Needle Valve for By-Pass Line	Spool Type	Design Number	
Z : Deceleration Valve	T : Threaded Connection	03	T : Applicable only with Adjustable Needle Valve for By-Pass Line (Option)	None : Normally Open Type	22	
		06			22	
		10			22	
ZC : Deceleration and Check Valve	G : Sub-Plate Mounting	03			C : Normally Closed Type	22
		06				22
		10				22

★The throttle valve for By-Pass Line allows the actuator to be fed at a low speed by allowing regulated flow between the ports even when the passage is blocked by a spool.

Graphic Symbols



●Please contact us separately for the details of Deceleration Valves / Deceleration and Check Valves.